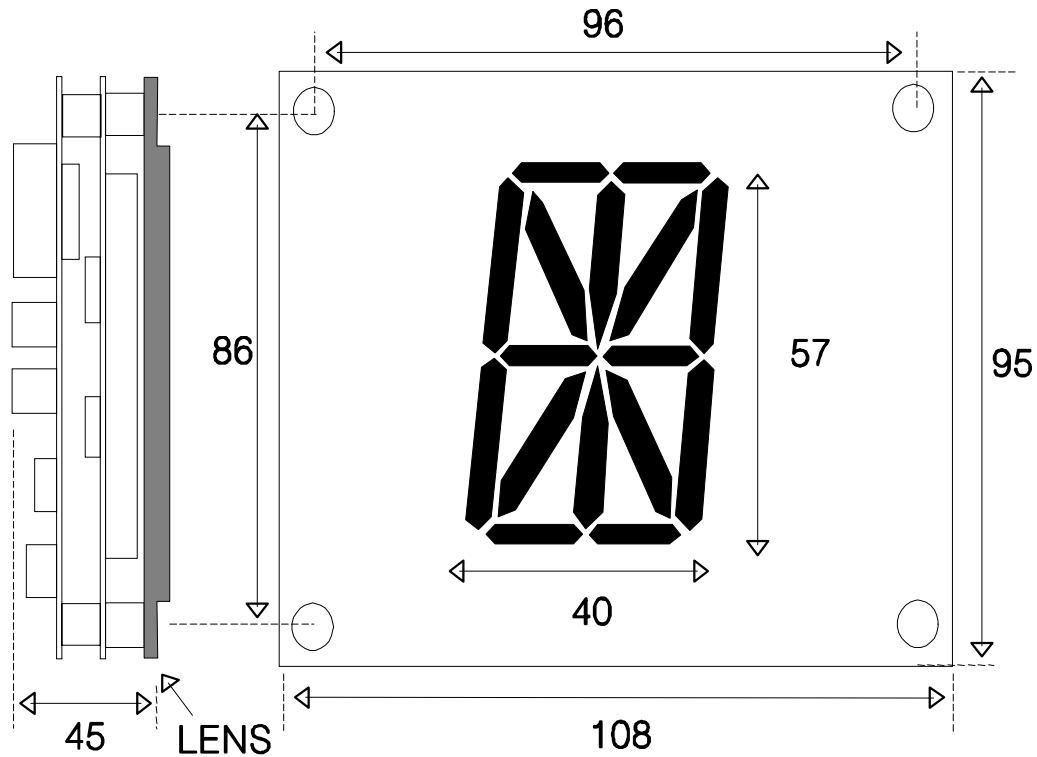


MFSU57-1

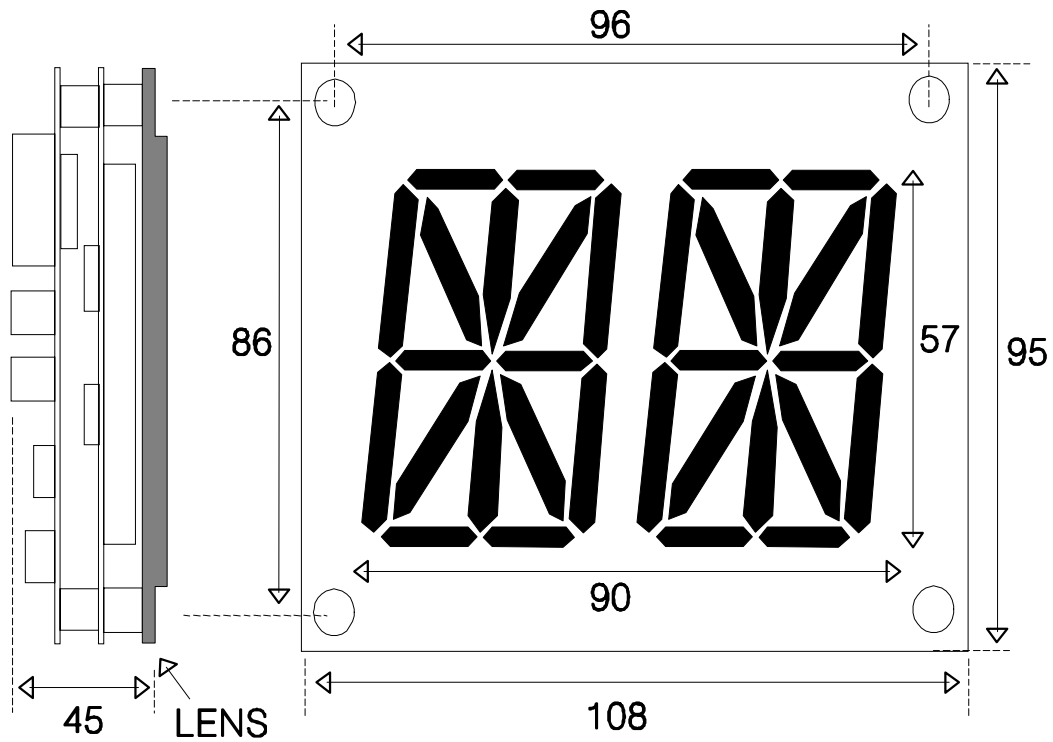


Faceplate Cut-Out: 68(h) x 50(w) mm

Fixings: 4x M3x25mm Studs

Description	Single colour LED 16-segment (starburst) display: single block, 57mm high, 40mm wide, 3.5mm wide segments.
LED Colour	Standard: Red or Green
Standard Floor Library	0 to 9, A to Z
Standard Features	Single character position
Switch Selectable Features	Hall lantern floor designation Landing or car indicator function Electronic chime volume
Electrical Detail	Continuous power supply: 12vdc to 37vdc or 12vac to 24vac Power consumption: 220mA @ 12vdc
General	Unit supplied loose with a drilled & rebated Pacton lens (4.5mm thick, dark grey tinted) & fixing spacers.
Optional Items	Electronic chime Stainless steel faceplate & mild steel backbox

THIS UNIT CONNECTS ONTO OUR 4-WIRE NETWORK; THEREFORE, A CONTROL UNIT MUST BE ORDERED FOR EACH LIFT

MFSU57-2

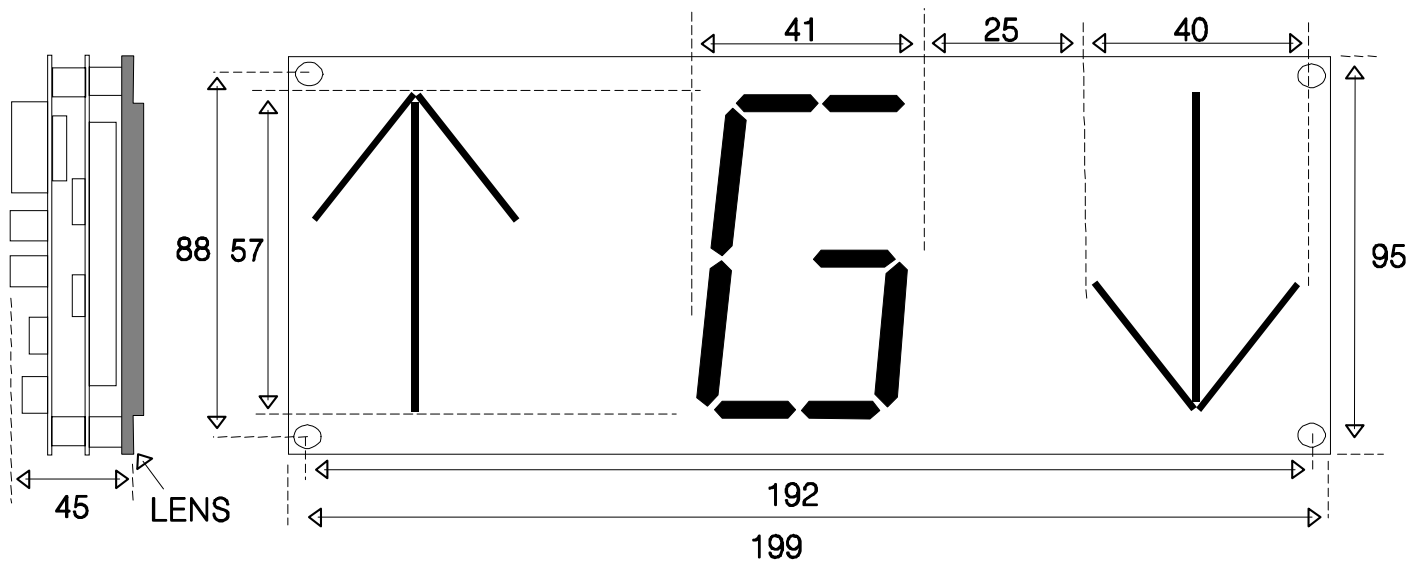
Faceplate Cut-Out: 68(h) x 100(w) mm

Fixings: 4x M3x25mm Studs

Description	Single colour LED 16-segment (starburst) display: two blocks, 57mm high, 90mm wide, 3.5mm wide segments.
LED Colour	Standard: Red or Green
Standard Floor Library	0 to 31, A to Z, -1 to -8, B1 to B8 LB,UB, SB, LG, UG, LM, UM, MZ, SL, CP, GR, 04, 03, 02, 01
Standard Features	Double character position
Switch Selectable Features	Hall lantern floor designation Landing or car indicator function Electronic chime volume
Electrical Detail	Continuous power supply:12vdc to 37vdc or 12vac to 24vac Power consumption:330mA @ 12vdc
General	Unit supplied loose with a drilled & rebated Pacton lens (4.5mm thick, dark grey tinted) & fixing spacers.
Optional Items	Electronic chime Stainless steel faceplate & mild steel backbox

THIS UNIT CONNECTS ONTO OUR 4-WIRE NETWORK; THEREFORE, A CONTROL UNIT MUST BE ORDERED FOR EACH LIFT

MFSU57-1A



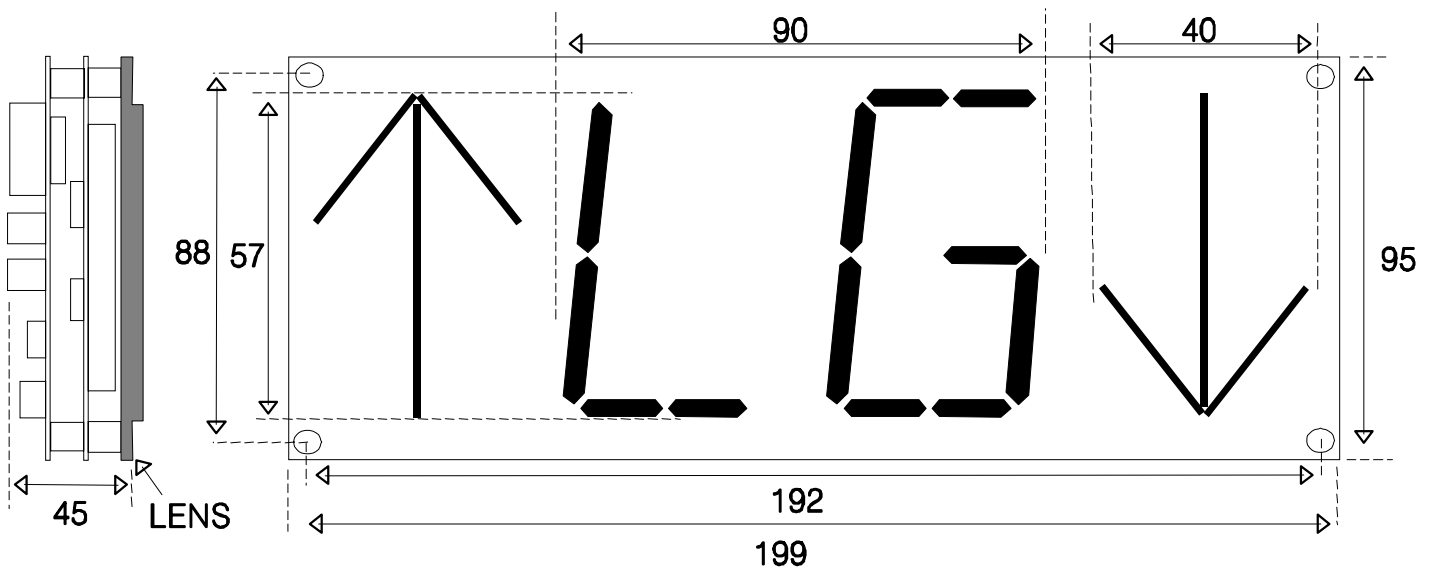
Faceplate Cut-Out: 72(h) x 177(w) mm

Fixings: 4x M3x25mm Studs

Description	Single colour LED 16-segment (starburst) display: single block, 57mm high, 40mm wide, 3.5mm wide segments with arrows.
LED Colour	Standard: Red or Green LED arrows: Red & Green
Standard Floor Library	0 to 9, A to Z
Standard Features	Single character position
Switch Selectable Features	Hall lantern floor designation Landing or car indicator function Electronic chime volume
Electrical Detail	Continuous power supply: 12vdc to 37vdc or 12vac to 24vac Power consumption: 260mA @ 12vdc
General	Unit supplied loose with a drilled & rebated Pacton lens (4.5mm thick, dark grey tinted) & fixing spacers.
Optional Items	Electronic chime Stainless steel faceplate & mild steel backbox

THIS UNIT CONNECTS ONTO OUR 4-WIRE NETWORK; THEREFORE, A CONTROL UNIT MUST BE ORDERED FOR EACH LIFT

MFSU57-2A



Faceplate Cut-Out: 72(h) x 177(w) mm

Fixings: 4x M3x25mm Studs

Description Single colour LED 16-segment (starburst) display: two blocks, 57mm high, 90mm wide, 3.5mm wide segments with arrows.

LED Colour Standard: Red or Green
LED arrows: red & green

Standard Floor Library 0 to 31, A to Z, -1 to -8, B1 to B8
LB,UB, SB, LG, UG, LM, UM, MZ, SL, CP, GR, 04, 03, 02, 01

Standard Features Double character position

Switch Selectable Features Hall lantern floor designation
Landing or car indicator function
Electronic chime volume

Electrical Detail Continuous power supply:12vdc to 37vdc or 12vac to 24vac
Power consumption:370mA @ 12vdc

General Unit supplied loose with a drilled & rebated Pacton lens (4.5mm thick, dark grey tinted) & fixing spacers.

Optional Items Electronic chime
Stainless steel faceplate & mild steel backbox

THIS UNIT CONNECTS ONTO OUR 4-WIRE NETWORK; THEREFORE, A CONTROL UNIT MUST BE ORDERED FOR EACH LIFT