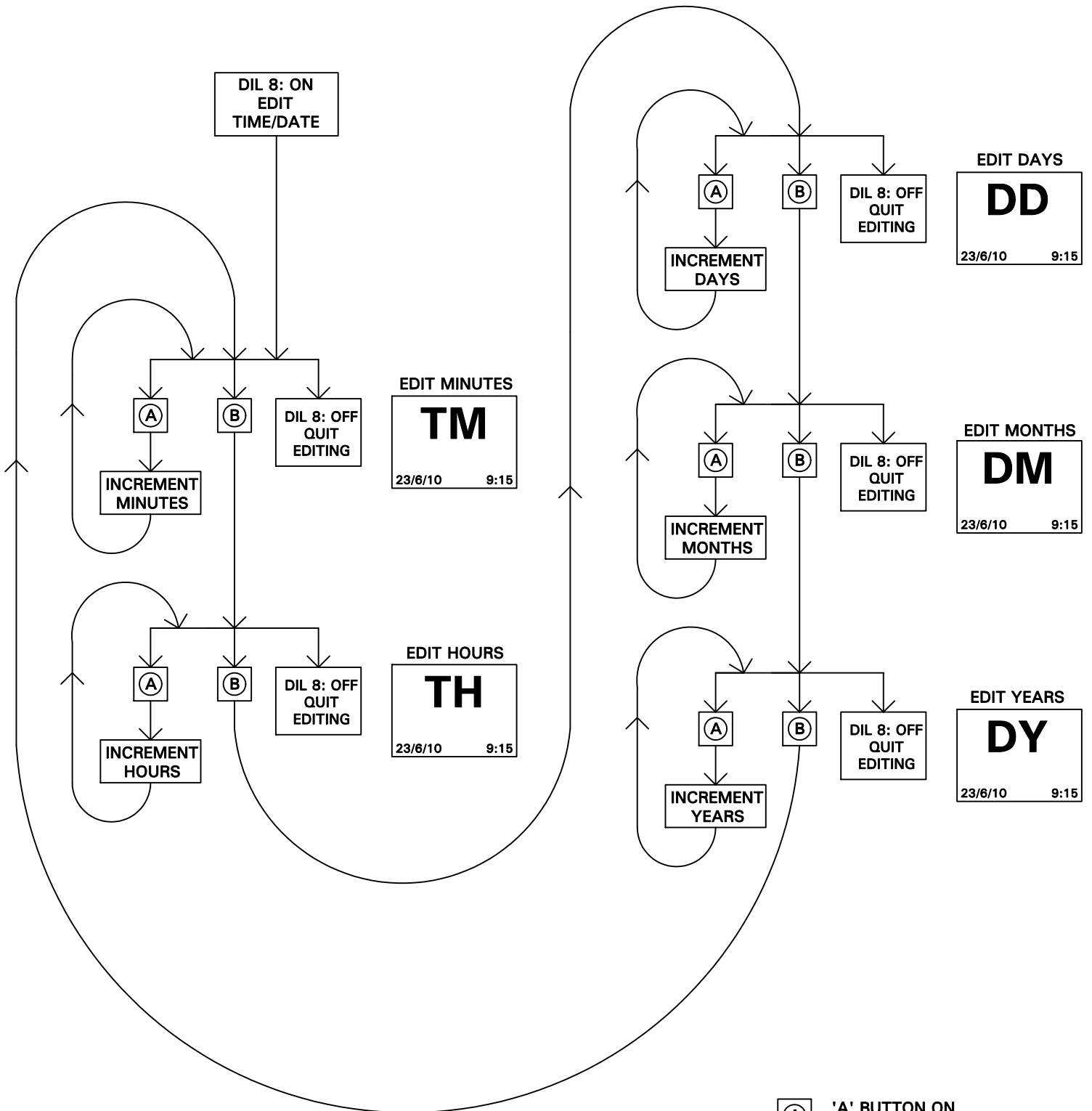


TIME/DATE EDITING FOR MFLCD DISPLAYS



(A) 'A' BUTTON ON SPEECH UNIT

(B) 'B' BUTTON ON SPEECH UNIT

DIL 8: ON EDIT TIME/DATE

DIL SWITCH 8 ON SPEECH UNIT

DIL 8: OFF QUIT EDITING

DIL SWITCH 8 ON SPEECH UNIT