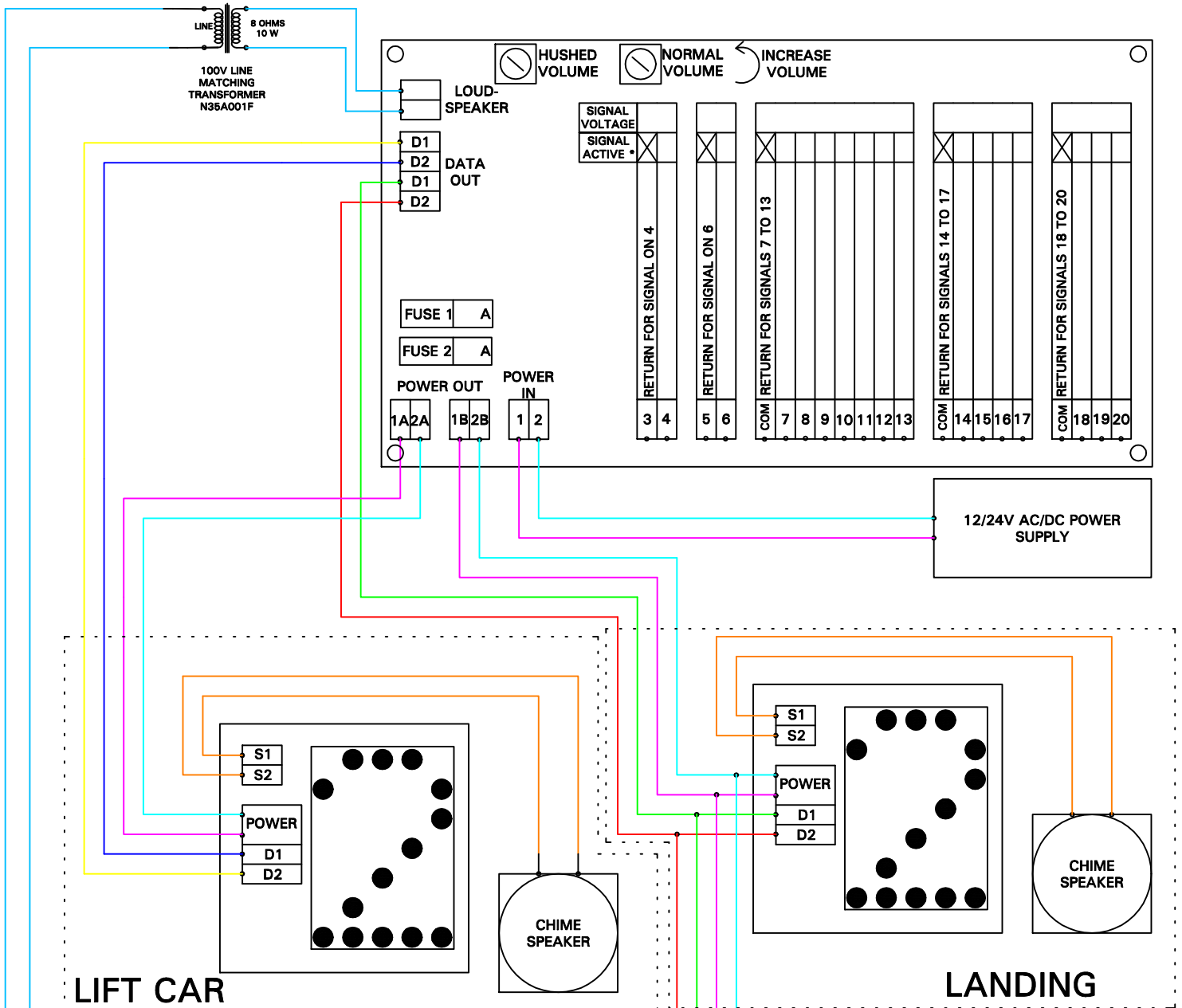


# SHAFT SCHEMATIC WITH INDUCTIVE LOOP

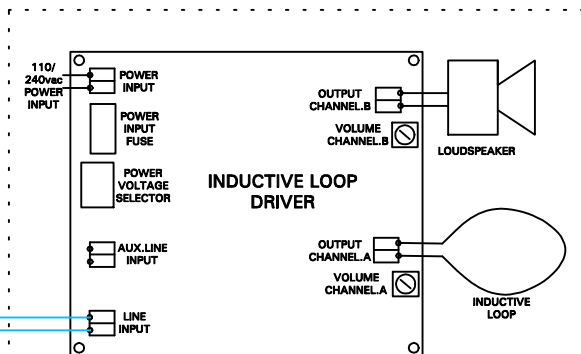


LIFT CAR

LANDING

TO OTHER LANDINGS

**WARNING!** DO NOT CONNECT WITH POWER ON



LIFT CAR

**NOTES ON INDUCTIVE LOOP:**

The Inductive Loop cable MUST be fitted around the floor or ceiling PERIMETER of the lift car and MUST be INSIDE the lift if the lift sides are manufactured from steel.

TO SIMPLIFY FAULT FINDING AND TO REDUCE INSTALLATION TIME USE NUMBERED OR MULTI-COLOURED WIRES.

FOR STANDARD INSTALLATIONS (BASIC LED/LCD DISPLAYS UP TO 15 FLOORS), POWER CABLES SHOULD BE A MINIMUM WIRE SIZE 1.0mm SQUARE.

EACH DISPLAY UNIT WILL SHOW A NUMBER CORRESPONDING TO ITS FLOOR ADDRESS (SET USING DIL SWITCHES 4-8) AFTER POWER-UP AND BEFORE DATA IS RECEIVED. IF THE NUMBER REMAINS AFTER LIFT MOVEMENT CHECK THAT THE D1 & D2 CONNECTIONS ARE CORRECT.

THE VOLTAGE ACROSS D1 & D2 SHOULD BE AROUND 4.5V DC WHEN THE LIFT IS STATIONARY.

A FLASHING 'F' INDICATES THAT D1 & D2 ARE CROSSED OR THAT THE DATA RECEIVER OR TRANSMITTER CHIP ARE NOT WORKING