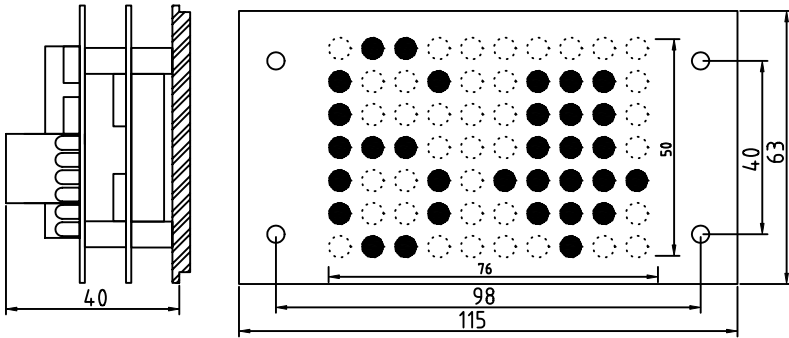


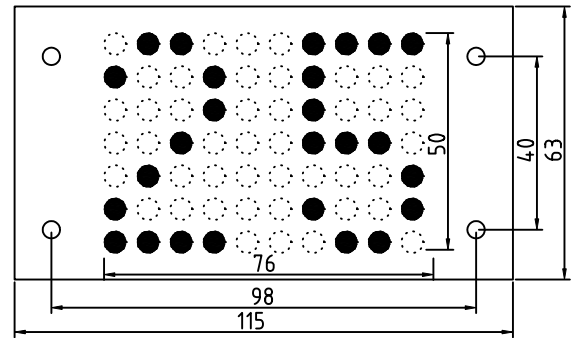
MFDU50-2 Display Types

MFDU50-2A



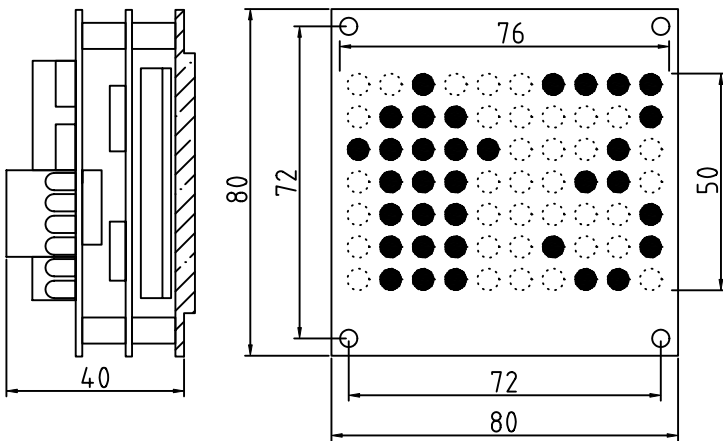
Faceplate Cut-Out: 60(h) x 86(w) mm

MFDU50-2



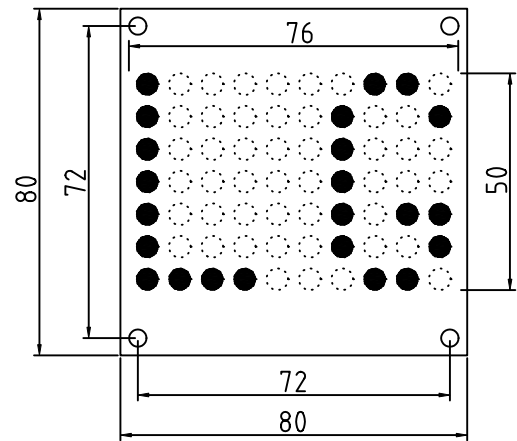
Fixings: 4 x M3x25mm Studs

MFDU50-2AV



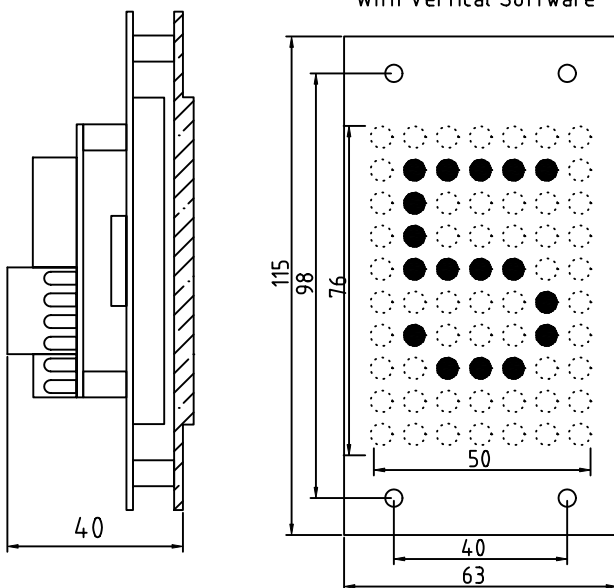
Faceplate Cut-Out: 60(h) x 76(w) mm

MFDU50-2V



Fixings: 4 x M3x25mm Studs

MFDU50-2
With Vertical Software



Faceplate Cut-Out: 86(h) x 60(w) mm
Fixings: 4 x M3x25mm Studs